

# 15 Dram Lid Wrap

## 4-Panel Lid Wrap Around Dieline

### Compatible with:

- 15 Dram Lid
- 7mL Concentrate Lid
- 4mL Concentrate Lid

### Content Area

The content area is 1/8" (.125") from cut lines. Important artwork (especially text) should be placed inside this area, as labels can shift slightly during the cutting process.

### Cut/Trim Line

Keeping artwork away from these edges ensures that it won't accidentally be cropped during Production.

### Bleed Line

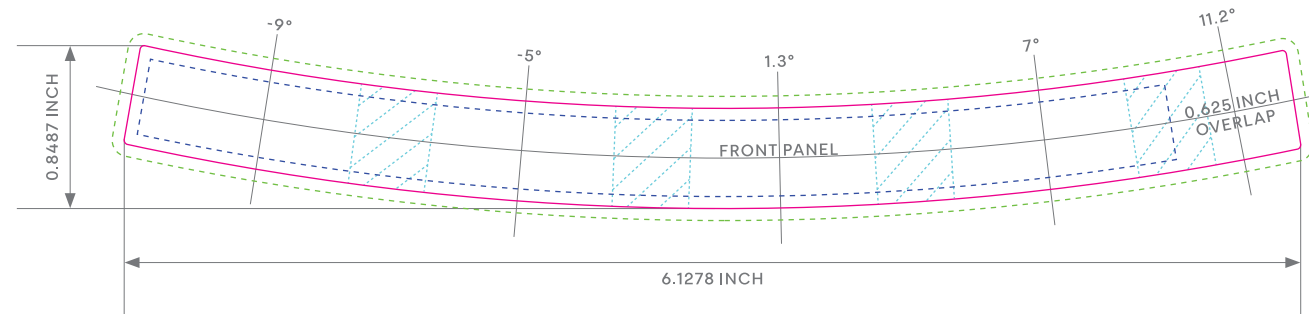
Any art (such as your background color) that should print all the way to the edge of the material should extend at least to these lines.

### Fold Area



Important artwork (especially text) should not be placed in fold area.

Template is built at 100%



### IMPORTANT INSTRUCTIONS

Build files according to the [Label Print Requirements](#) linked here. Files set up incorrectly may result in increased lead time and/or additional charges.



CALYX  
CONTAINERS