

45 Dram Lid

1-Panel Lid Top Label Dieline

Compatible with:

- 45 Dram Lid
- Calyx Jar Lid

Content Area

The content area is 1/8" (.125") from cut lines. Important artwork (especially text) should be placed inside this area, as labels can shift slightly during the cutting process.

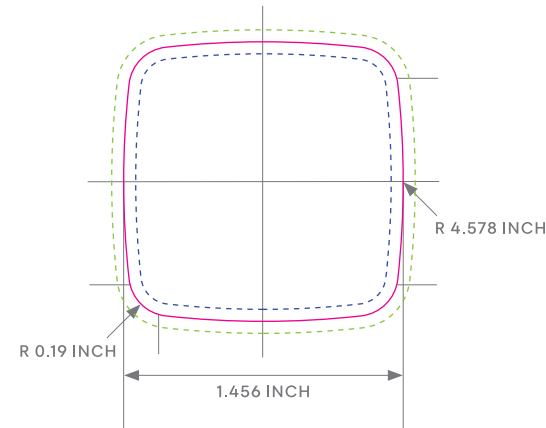
Cut/Trim Line

Keeping artwork away from these edges ensures that it won't accidentally be cropped during Production.

Bleed Line

Any art (such as your background color) that should print all the way to the edge of the material should extend at least to these lines.

Template is built at 100%



IMPORTANT INSTRUCTIONS

Build files according to the [Label Print Requirements](#) linked here. Files set up incorrectly may result in increased lead time and/or additional charges.

